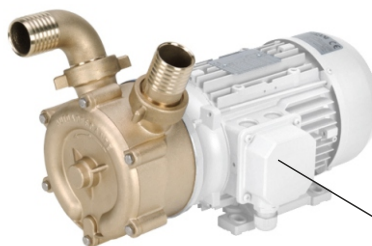




EP 70



EPH 20-25 MF  
EP 20-25-30-40-50 MF/TF

I		MF	2m+SCHUKO	TF	4m
L			IP55		2m+SCHUKO
M		Morsetti Terminal board connection	IP55		



EP 20-EP 20 T-25-30-40-50 CC



EP 20-25-30-40 MP

PRESTAZIONI / PERFORMANCES

ELETTROPOMPE MONOFASE (MF) O TRIFASE (TF) - 50 Hz / SINGLE-PHASE (MF) OR THREE PHASE (TF) ELECTRIC PUMPS - 50 Hz																			
Modello Type	Maniglia Handle	Motore Motor	Volt	Hz	kW	Giri/min. RPM	H = Prevalenza (metri) / Head (meters) - Q = Portata (l/min.) / Capacity (l/min.)												
							0	5	10	12	15	18	22	24	30	35	40	H	
EPH 20	●	L MF	230	50	0.22	2800	29	20	10	6	0								
EPH 25	●	L MF	230	50	0.45	2800	60	47	30	23	12	0							
EP 20	●	M MF	230	50	0.22	2800	29	20	10	6	0								
	●	M MF	110	50	0.22	2800	29	20	10	6	0								
	●	I TF	230-400	50	0.26	2800	29	20	10	6	0								
EP 25	●	M TF	230-400	50	0.26	2800	29	20	10	6	0								
	X	M MF	230	50	0.45	2800	60	47	30	23	12	0							
	X	M MF	110	50	0.45	2800	60	47	30	23	12	0							
	X	I TF	230-400	50	0.56	2800	60	47	30	23	12	0							
EP 30	X	M TF	230-400	50	0.56	2800	60	47	30	23	12	0							
	X	M MF	230	50	0.75	1400	75	60	40	30	15	0							
	X	M MF	110	50	0.75	1400	75	60	40	30	15	0							
	X	I TF	230-400	50	0.75	1400	75	60	40	30	15	0							
EP 40	X	M TF	230-400	50	0.75	1400	75	60	40	30	15	0							
	X	I MF	230	50	0.75	1400	120	105	85	80	62	45	0						
	X	I MF	110	50	0.75	1400	120	105	85	80	62	45	0						
	X	I MF	230	50	1.1	1400	120	105	85	80	62	45	0						
	X	I MF	110	50	1.1	1400	120	105	85	80	62	45	0						
	X	I TF	230-400	50	0.75	1400	120	105	85	80	62	45	0						
	X	I TF	230-400	50	1.1	1400	120	105	85	80	62	45	0						
EP 50	X	M TF	230-400	50	1.1	1400	120	105	85	80	62	45	0						
	n.d.	I MF	230	50	1.87	1400	230	205	175	160	140	120	80	60	0				
	n.d.	I MF	110	50	1.87	1400	230	205	175	160	140	120	80	60	0				
	n.d.	I TF	230-400	50	1.87	1400	230	205	175	160	140	120	80	60	0				
EP 70	n.d.	M TF	230-400	50	1.87	1400	230	205	175	160	140	120	80	60	0				
	n.d.	M TF	230-400	50	5.5	1400	500	455	415	390	365	330	280	255	165	90	0		
	n.d.	M TF	230-400	50	7.5	1400	500	455	415	390	365	330	280	255	165	90	0		

● = Pompe con maniglia inclusa / Pumps with handle included - X = disponibile a richiesta / available on request - n.d. = non disponibile / not available



PRESTAZIONI / PERFORMANCES

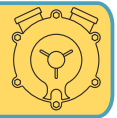
ELETTROPOMPE A CORRENTE CONTINUA (CC) CON MANIGLIA/ DIRECT CURRENT ELECTRIC PUMPS (CC) WITH HANDLE																			
Modello Type	Maniglia Handle	Motore Motor		Volt	A	kW	Giri/min. RPM	H = Prevalenza (metri) / Head (meters) - Q = Portata (l/min.) / Capacity (l/min.)											
								0	5	8	10	12	15	18	20	22	24	30	H
EP 20	●	M	CC	12	26	0.33	2000	25	15	6	0								Q
	●	M	CC	24	14	0.33	2000	25	15	6	0								
EP 20 T	●	M	CC	12	36	0.45	3000	32	26	22	19	16	12	7	3	0			
	●	M	CC	24	22	0.45	3000	32	26	22	19	16	12	7	3	0			
EP 25	●	M	CC	12	38	0.45	2000	53	35	22	12	0							
	●	M	CC	24	22	0.45	2000	53	35	22	12	0							
EP 30	●	M	CC	24	28	0.6	1400	75	60	47	40	30	15	0					
EP 40	●	M	CC	24	45	1.1	1400	120	105	95	85	80	62	45	30	0			
EP 50	n.d.	M	CC	24	95	1.5	1400	230	205	185	175	160	140	120	95	80	60	0	

ELETTROPOMPE A CORRENTE CONTINUA A MAGNETI PERMANENTI (CC MP) CON MANIGLIA DIRECT CURRENT ELECTRIC PUMPS WITH PERMANENT MAGNETS (CC MP) WITH HANDLE																			
Modello Type	Maniglia Handle	Motore Motor		Volt	A	kW	Giri/min. RPM	H = Prevalenza (metri) / Head (meters) - Q = Portata (l/min.) / Capacity (l/min.)											
								0	5	10	12	15	18	22	24	30	35	40	H
EP 20 MP	●	M	CC MP	12	16	0.33	2800	29	20	10	6	0							Q
	●	M	CC MP	24	8	0.33	2800	29	20	10	6	0							
EP 25 MP	●	M	CC MP	12	45	0.45	2800	60	47	30	23	12	0						
	●	M	CC MP	24	36	0.45	2800	60	47	30	23	12	0						
EP 30 MP	●	M	CC MP	12	52	0.75	1400	75	60	40	30	15	0						
	●	M	CC MP	24	28	0.75	1400	75	60	40	30	15	0						
	●	M	CC MP	24	32	0.90	1700	95	78	60	52	37	23	0					
EP 40 MP	●	M	CC MP	24	45	1.1	1400	120	105	85	80	62	45	0					

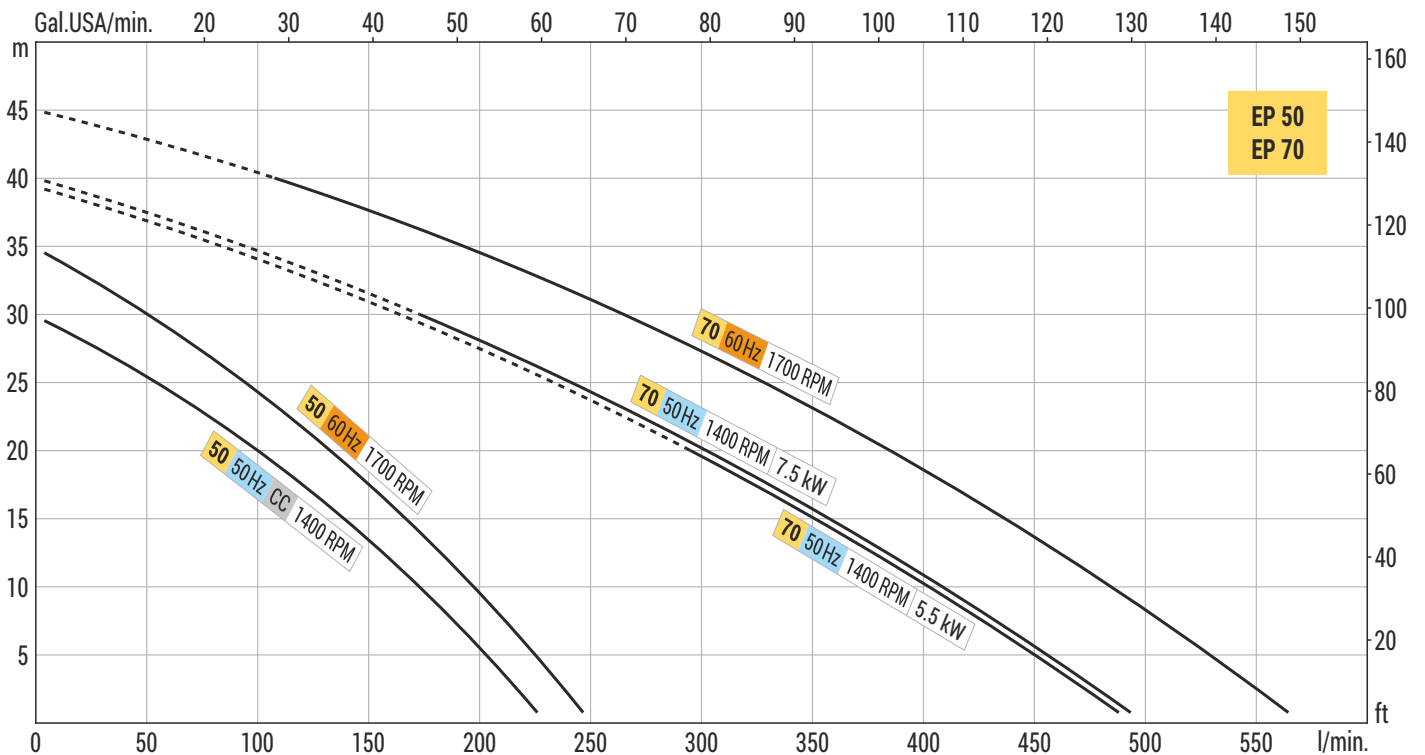
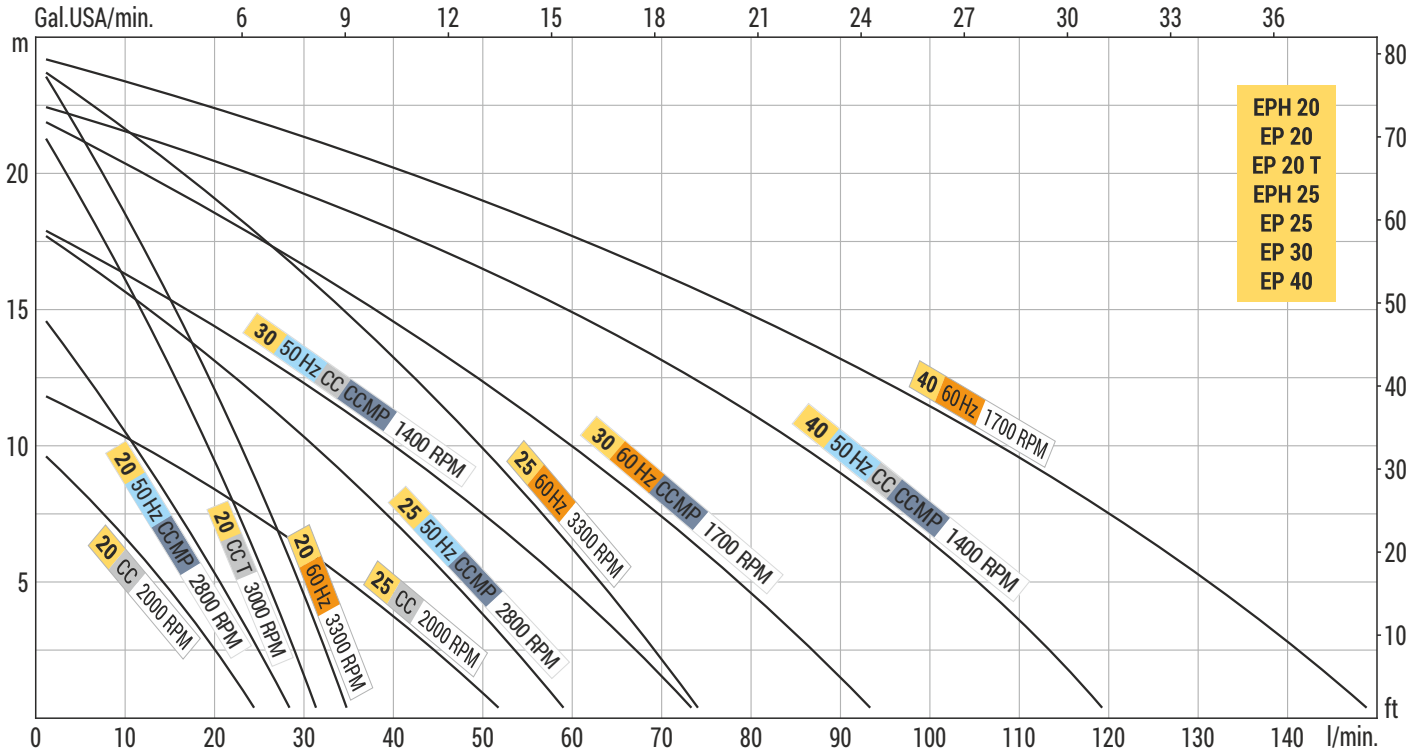
ELETTROPOMPE MONOFASE (MF) O TRIFASE (TF) - 60 Hz / SINGLE-PHASE (MF) OR THREE PHASE (TF) ELECTRIC PUMPS - 60 Hz																			
Modello Type	Maniglia Handle	Motore Motor		Volt	Hz	kW	Giri/min. RPM	H = Prevalenza (metri) / Head (meters) - Q = Portata (l/min.) / Capacity (l/min.)											
								0	5	10	15	18	22	24	30	35	40	45	H
EP 20	●	M	MF	230	60	0.26	3300	35	31	25	16	10	3	0					Q
	●	M	MF	110	60	0.26	3300	35	31	25	16	10	3	0					
	●	I	TF	230-400*	60	0.31	3300	35	31	25	16	10	3	0					
	●	M	TF	230-400*	60	0.31	3300	35	31	25	16	10	3	0					
EP 25	X	M	MF	230	60	0.54	3300	75	63	50	34	24	8	0					
	X	M	MF	110	60	0.54	3300	75	63	50	34	24	8	0					
	X	I	TF	230-400*	60	0.67	3300	75	63	50	34	24	8	0					
	X	M	TF	230-400*	60	0.67	3300	75	63	50	34	24	8	0					
EP 30	X	M	MF	230	60	0.90	1700	95	78	60	37	23	0						
	X	M	MF	110	60	0.90	1700	95	78	60	37	23	0						
	X	I	TF	230-400*	60	0.90	1700	95	78	60	37	23	0						
	X	M	TF	230-400*	60	0.90	1700	95	78	60	37	23	0						
EP 40	X	I	MF	230	60	1.34	1700	150	130	107	80	60	25	0					
	X	I	MF	110	60	1.34	1700	150	130	107	80	60	25	0					
	X	I	TF	230-400*	60	1.34	1700	150	130	107	80	60	25	0					
	X	M	TF	230-400*	60	1.34	1700	150	130	107	80	60	25	0					
EP 50	n.d.	I	MF	230	60	2.23	1700	250	225	200	165	145	115	100	45	0			
	n.d.	I	MF	110	60	2.23	1700	250	225	200	165	145	115	100	45	0			
	n.d.	I	TF	230-400*	60	2.60	1700	250	225	200	165	145	115	100	45	0			
	n.d.	M	TF	230-400*	60	2.60	1700	250	225	200	165	145	115	100	45	0			
EP 70	n.d.	M	TF	230-400*	60	9.00	1700	570	530	490	440	400	360	340	260	190	100	0	

● = Pompe con maniglia inclusa / Pumps with handle included - X = disponibile a richiesta / available on request - n.d. = non disponibile / not available

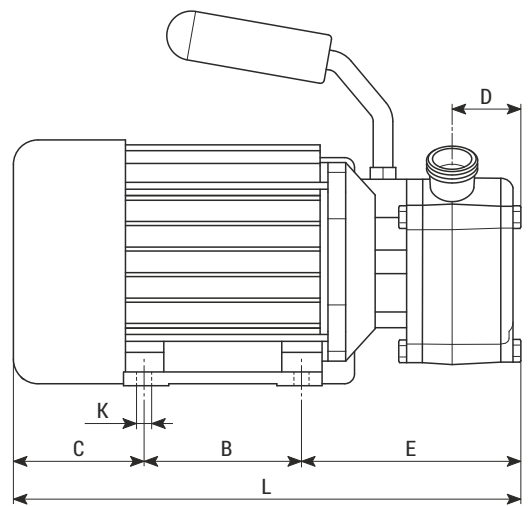
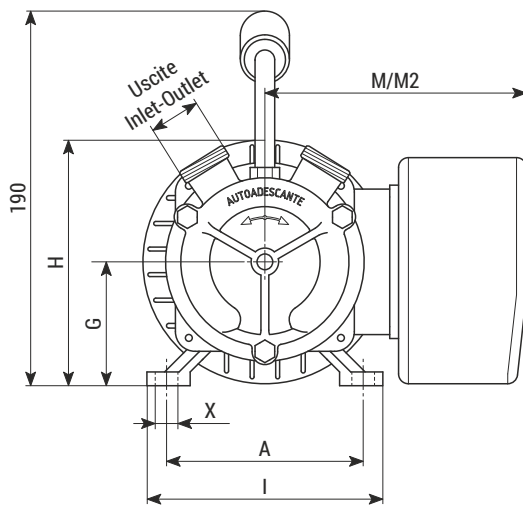
\* A richiesta disponibile anche 255-440V e 277-480V / Available on request 255-440V and 277-480V



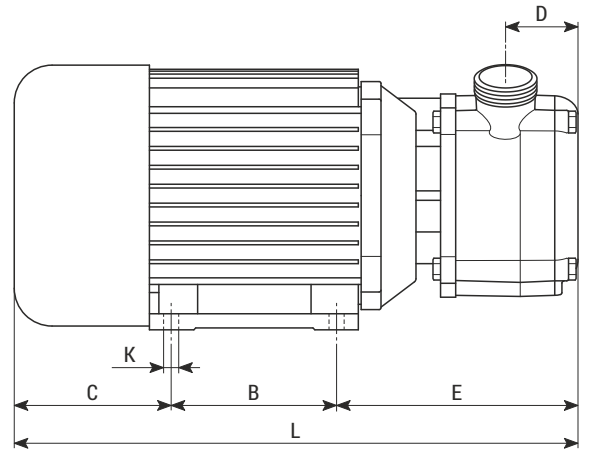
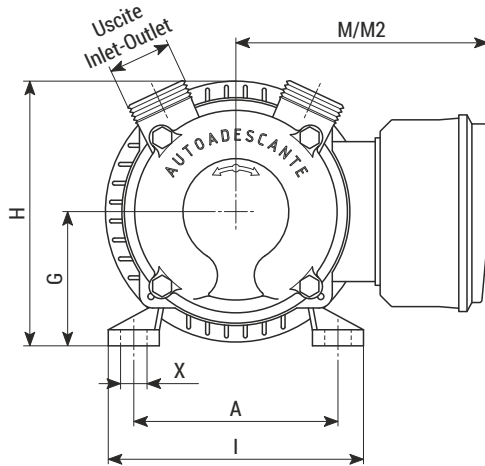
CURVE PRESTAZIONALI / PERFORMANCE CURVES



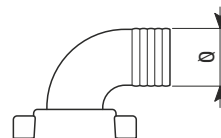
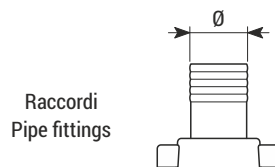
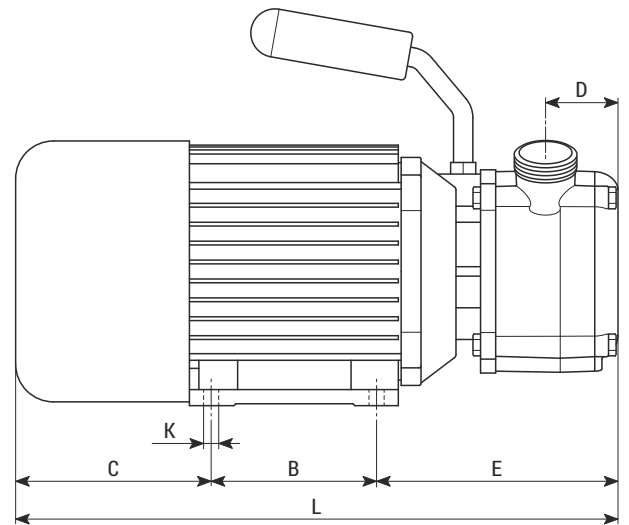
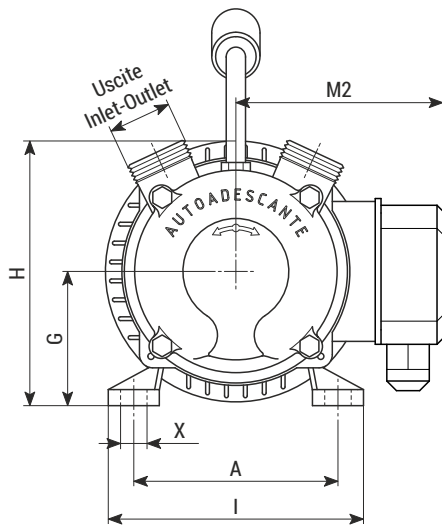
**EPH 20  
EP 20**



**EPH 25  
EP 25**



**EP 20 CC  
EP 20 T  
EP 25 CC**

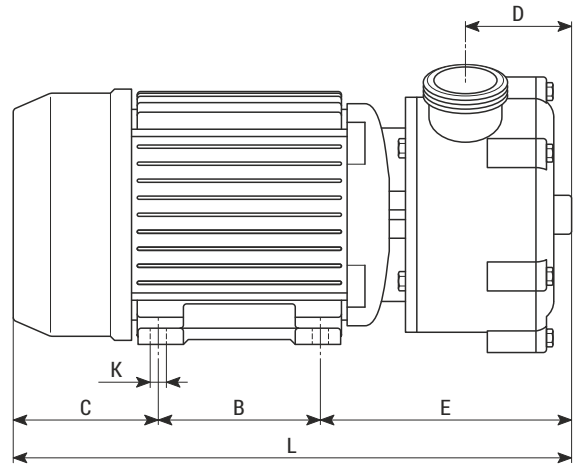
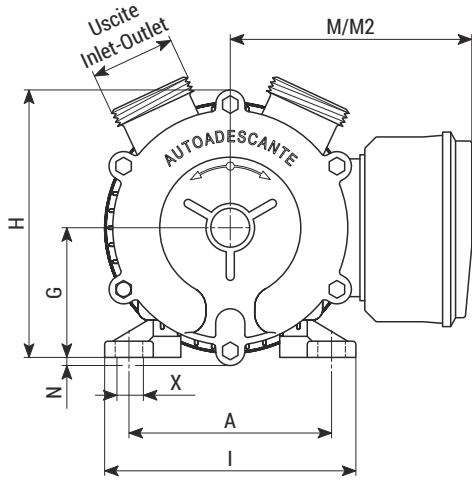


Tipo Type	Uscite Inlet-Outlet	Raccordi Pipe fittings	Motore Motor	Peso Weight	Dimensioni (mm) / Dimensions (mm)													
					A	B	C	D	E	G	H	I	K	L	M*	M2*	N	X
<b>EPH 20</b>	BSP-M 3/4"	Ø20	MF	5.5 kg	90	80	70	35	110	63	100	110	7	260	115	-	-	10
<b>EPH 25</b>	BSP-M 1"	Ø25	MF	9.2 kg	112	90	78	40	127	71	124	136	7	295	125	-	-	12
<b>EP 20</b>	BSP-M 3/4"	Ø20	CC	5.7 kg	100	80	100	35	115	63	106	120	7	295	-	100	-	12
			MF/TF	5.6 kg	90	80	70	35	110	63	100	110	7	260	135	105	-	10
<b>EP 25</b>	BSP-M 1"	Ø25	CC	9.3 kg	112	80	108	40	133	71	124	132	8	320	-	110	-	12
			MF/TF	9.2 kg	112	90	88	40	127	71	124	136	8	305	145	110	-	12

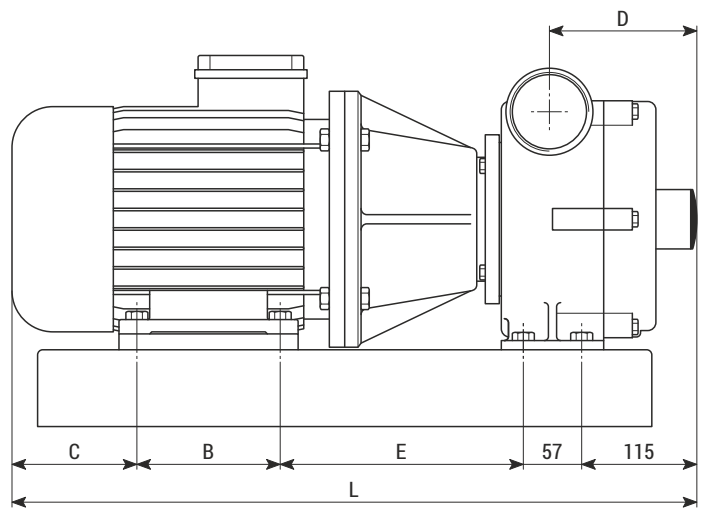
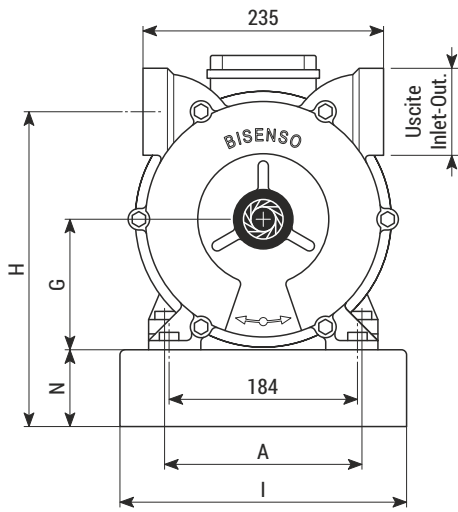
n.d. = Raccordi non disponibili / Pipe fittings not available

M\* = interruttore/invertitore-portacondensatore / on-off reverse switch-capacitor box - M2\* = morsettiera / terminal board connection

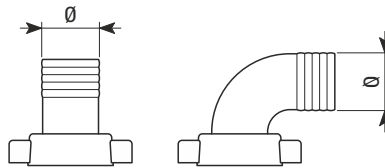
EP 30  
EP 40  
EP 50



EP 70



Raccordi  
Pipe fittings

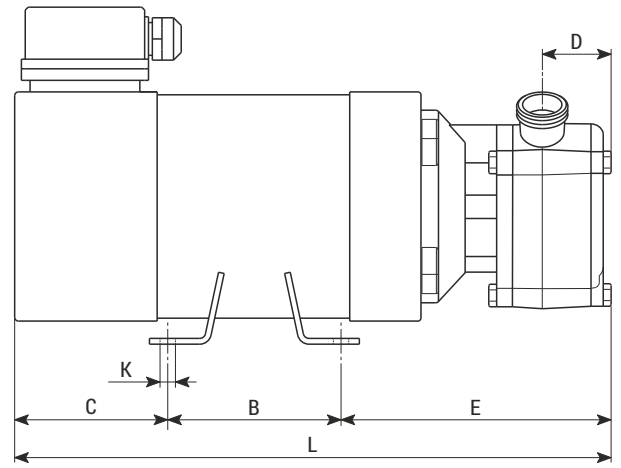
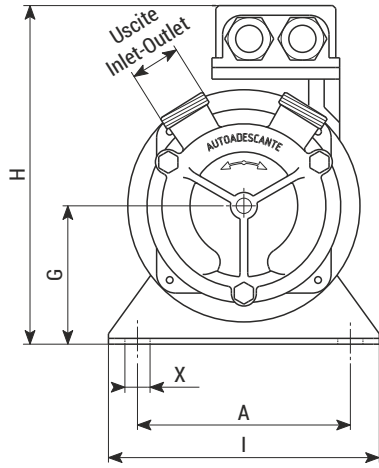


Tipo Type	Uscite Inlet-Outlet	Raccordi Pipe fittings	Motore Motor	Peso Weight	Dimensioni (mm) / Dimensions (mm)													
					A	B	C	D	E	G	H	I	K	L	M*	M2*	N	X
EP 30	BSP-M 1"1/4	Ø30	CC	13.2 kg	125	100	135	50	140	80	165	160	8	375	-	125	5	16
			MF/TF	12.7 kg	125	100	90	50	140	80	165	155	10	330	155	125	5	17.5
EP 40	BSP-M 1"1/2	Ø40	CC	20.0 kg	140	125	185	67	180	90	175	175	10	490	-	130	-	17.5
			MF/TF	14.5 kg	125	100	90	67	162	80	165	155	10	352	155	125	5	17.5
EP 50	BSP-M 2"	Ø50	CC	31.9 kg	140	125	137	90	180	90	194	175	10	442	-	-	14	17.5
			MF/TF	26.5 kg	140	125	100	90	210	90	194	175	10	435	160	130	14	17.5
EP 70	BSP-F 2"1/2	n.d.	TF 5.5 kW	76.5 kg	200	140	137	146	242	128	306	270	11	690	-	-	72.5	18
			TF 7.5 kW	90.0 kg	216	178	155	144	280	156	334	280	11	785	-	-	72.5	18

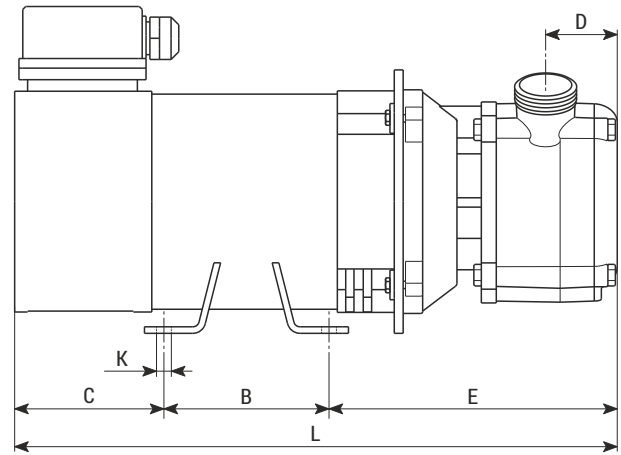
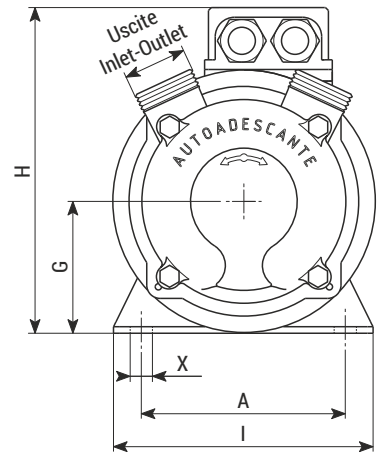
n.d. = Raccordi non disponibili / Pipe fittings not available

M\* = interruttore/invertitore-portacondensatore / on-off reverse switch-capacitor box - M2\* = morsettiera / terminal board connection

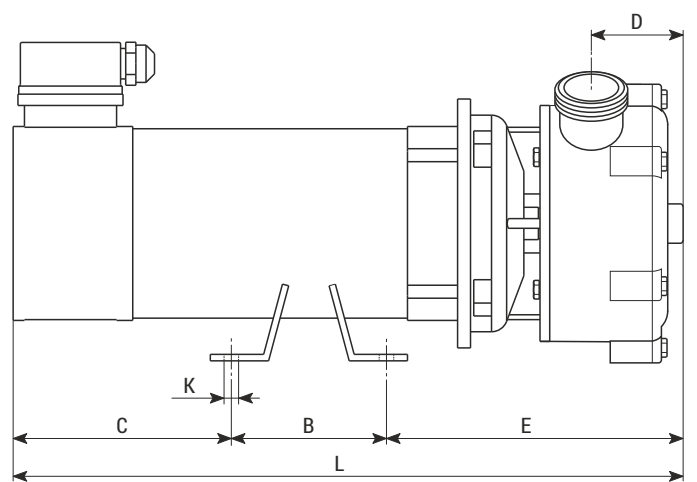
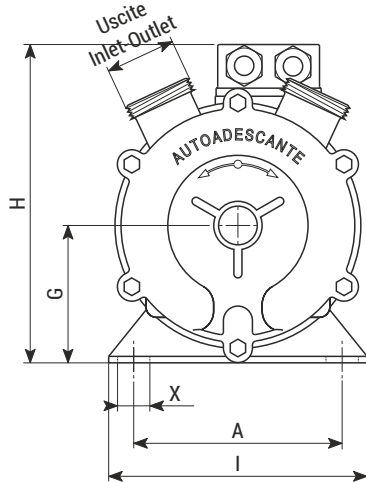
EP 20 MP



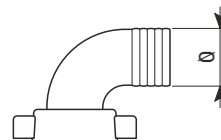
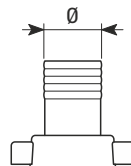
EP 25 MP



EP 30 MP  
EP 40 MP



Raccordi  
Pipe fittings



Tipo Type	Uscite Inlet-Outlet	Raccordi Pipe fittings	Motore Motor	Peso Weight	Dimensioni (mm) / Dimensions (mm)													
					A	B	C	D	E	G	H	I	K	L	M*	M2*	N	X
EP 20 MP	BSP-M 3/4"	Ø20	CC MP	7.0 kg	112	90	80	35	140	71	175	140	8	305	-	-	-	12
EP 25 MP	BSP-M 1"	Ø25	CC MP	9.6 kg	112	90	80	40	127	71	175	140	8	305	-	-	-	12
EP 30 MP	BSP-M 1"1/4	Ø30	CC MP	13.5 kg	129	96	135	50	175	85	197	160	9	405	-	-	-	20
EP 40 MP	BSP-M 1"1/2	Ø40	CC MP	18 kg	129	96	185	67	200	85	197	160	9	435	-	-	-	20

n.d. = Raccordi non disponibili / Pipe fittings not available

M\* = interruttore/invertitore-portacondensatore / on-off reverse switch-capacitor box - M2\* = morsettiera / terminal board connection