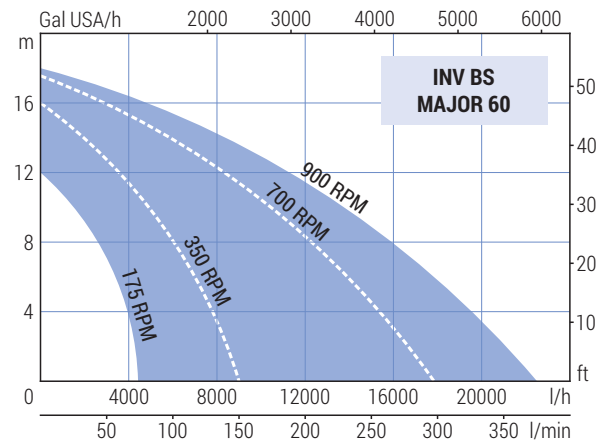
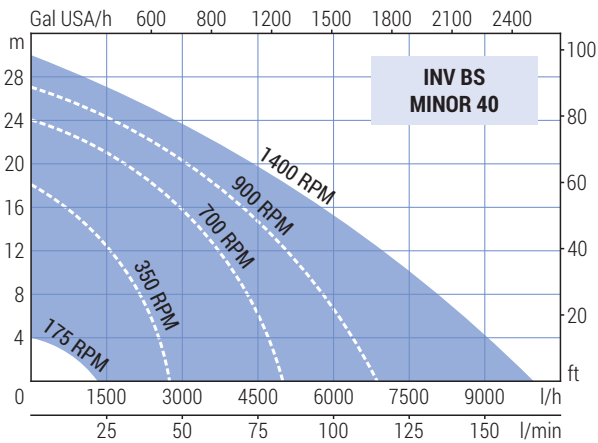


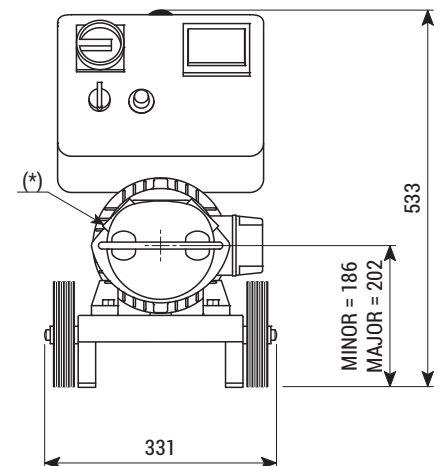
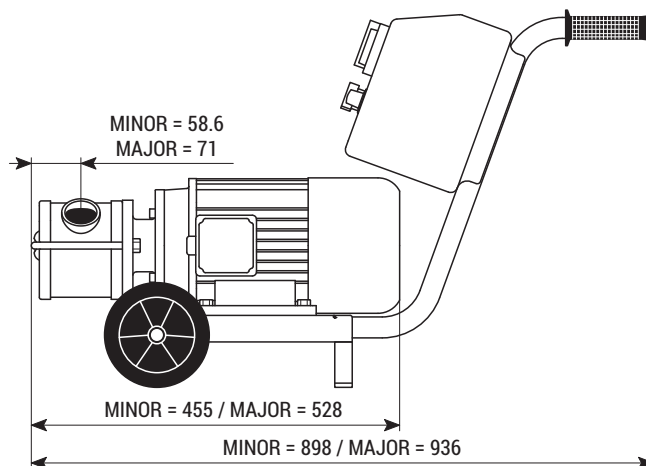


INV BS MINOR 40
INV BS MAJOR 60
motore servoventilato, inverter 4 kW
senza stop a secco, con carrello
servo fan motor, 4kW frequency converter
without dry running protection, on trolley

Tipo Type	Alimentazione Feeding	kW	Giri/min RPM	H = Prevalenza (metri) / Head (meters)										Portata (litri/ora) Q = Capacity (liters/hour)	
				0	4	8	12	16	18	20	24	27	30		
INV BS MINOR 40	Trifase Three-phase 400V / 50Hz	1.5	min 175	1320	0										
			350	2750	2500	2100	1600	800	0						
			700	5000	4700	4300	3700	3000	2520	1800	0				
			900	6900	6200	5760	5040	4200	3660	3200	1800	0			
			max 1400	10000	9000	8000	6900	5500	4900	4400	2600	1700	0		
INV BS MAJOR 60	Trifase Three-phase 400V / 50Hz	1.85	min 175	4320	3840	2800	0								
			350	9000	7800	6000	3700	0							
			700	18000	15000	12000	8400	2500	0						
			900	22500	19560	15000	11220	3000	0						



INV BS MINOR 40
Peso-Weight 31.0 kg
INV BS MAJOR 60
Peso-Weight 43.5 kg



* raccordi disponibili p.21 / available pipe fittings p.21